

The expert for wood.



## LogWIN – the best of nature and technology.

**LogWIN – wood gasification boiler**

Nominal thermal output: 13 to 50 kW

Suitable fuels:

1/3 m and 1/2 m split logs, unprocessed residual wood, wood briquettes.

# The best of nature and technology.



## Wood is hot again.

Wood is arguably one of the oldest and original energy sources that man has made use of to keep warm. For a long period it was also the most important. Not until the industrial revolution and the growing demand for convenience was wood replaced by oil and gas.

Today, as our supplies of fossil fuels are diminishing and our responsibility to the environment is becoming ever more important, we are recalling **the advantages that wood offers as a fuel:**

### ✓ Environmentally responsible.



When you heat with wood, you make a significant contribution to the reduction of the greenhouse effect. In contrast to burning oil or gas, burning wood does not burden our atmosphere with additional CO<sub>2</sub>.

### ✓ Economically responsible.



Wood is undoubtedly one of the most economic fuels on the market. The price of billet wood is also independent of the world market prices of crude oil and is largely stable.

### ✓ Guaranteed supply.



Wood is a replenishable and renewable energy source that we can harvest from our own forests. When you heat with wood you are independent of energy suppliers and have the greatest security of continued supply.



## The new standard in the stainless steel class.

Heating with wood has renewed popularity due the huge advances in technology. Modern wood heating systems are efficient, enviromentally friendly and extremely comfortable.

Windhager, with its consistent development work and decades of experience, has made a significant contribution to this development. True to its motto "Continuously improving on success and further developing proven technology", Windhager is again setting the standard for modern heating with wood with the new LogWIN. A system in the new stainless steel class that in many ways far exceeds traditional wood heating systems.



### The new LogWIN is...

#### ... even safer and more durable.

- ✓ A corrosion-resistant filling chamber made of stainless steel offers the ultimate standard in corrosion protection.
- ✓ A sturdy, modular combustion chamber.
- ✓ Design with no wearing parts.

#### ... even more convenient.

- ✓ The largest filling chamber in its class (176 / 226 litres) ensures long burning times.
- ✓ Long maintenance intervals and simple fuel replenishment without relighting as a result of the large capacity of the filling-chamber hearth block.
- ✓ Simple, clean ash removal with an attachable ash tray.

#### ... even more economical and environmentally friendly.

- ✓ Inexpensive maintenance with no wearing parts.
- ✓ State-of-the-art "LAMBATHERM" combustion regulation ensures long-lasting, efficient and clean combustion, even with varying fuel quality.

# Innovation by design.

## The best of two combustion-regulation systems. 1



### LAMBDAsensor + THERMOcontrol = LAMBATHERM

In order to guarantee clean, efficient combustion despite varying fuel quality, Windhager has combined proven Thermocontrol regulation with a Lambda probe.

The advantages for you:

- ✓ Long-term, clean, efficient combustion.
- ✓ Improved burnout characteristics and long maintenance intervals.
- ✓ Additional protection against over-firing the boiler.

The **combustion fan** included as standard accelerates the heating process, and supports controlled combustion.

2

## Corrosion free stainless steel combustion chamber. 3



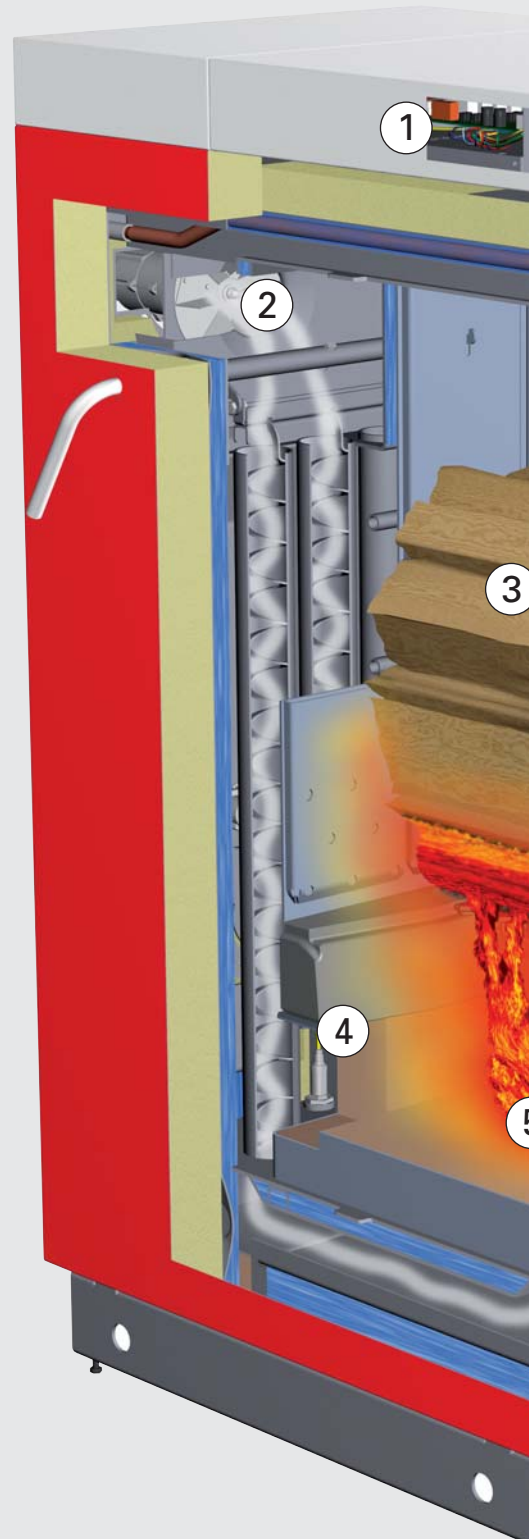
Burning wood releases organic acids that can severely corrode the filling chamber. Filling chambers made of conventional steel can suffer up to 0.6 mm of degraded wall thickness per year of operation. Stainless steel, on the other hand, is considered the most resistant and durable material for constructing boilers and therefore offers long-term protection against corrosion.

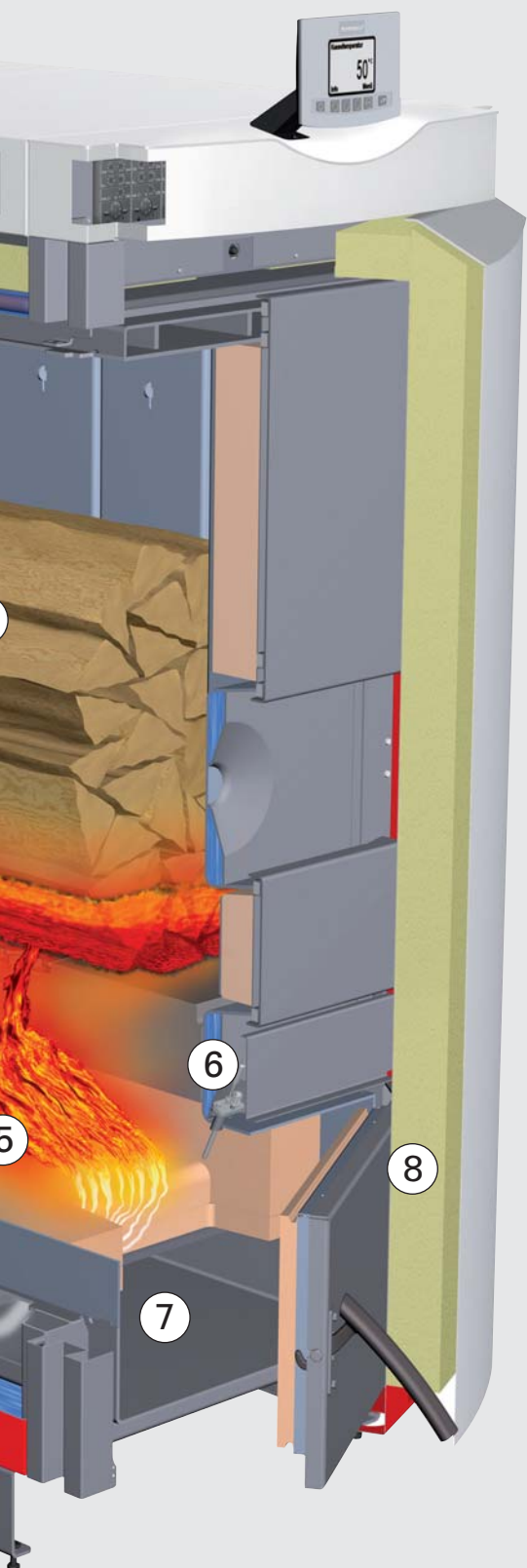
The advantages for you:

- ✓ Provides long boiler life.

A **Lambda sensor** in addition to Thermocontrol regulation.

4





### 5 Patented modular combustion chamber.



The combustion chamber is the heart of a wood gasification boiler and must meet many criteria. On one hand, proper thermal insulation is essential for efficiency, on the other hand, the chamber must also withstand

enormous thermal and mechanical forces. In order to fulfil these requirements Windhager have developed a modular, sturdy combustion chamber to meet these demands.

**The advantage for you:**

- ✓ Optimal operational characteristics plus long life.

### 6 A long-lasting, heavy-duty “thermal probe” is a component of the LAMBATHERM regulation system.

### 7 Attachable ash tray.



Even with the best combustion regulation system, ash builds up and must be removed regularly. To do this as simply as possible with minimum mess, Windhager have integrated a practical, detailed solution in the boiler –

the attachable ash tray.

**The advantage for you:**

- ✓ The ash can be swept directly from the filling chamber into the ash tray, almost no dust is spilt and the boiler room stays clean.

### 8 Thanks to the fully insulated door cladding, the radiant energy from the inner doors is collected and made available through channels as prewarmed primary and secondary air.

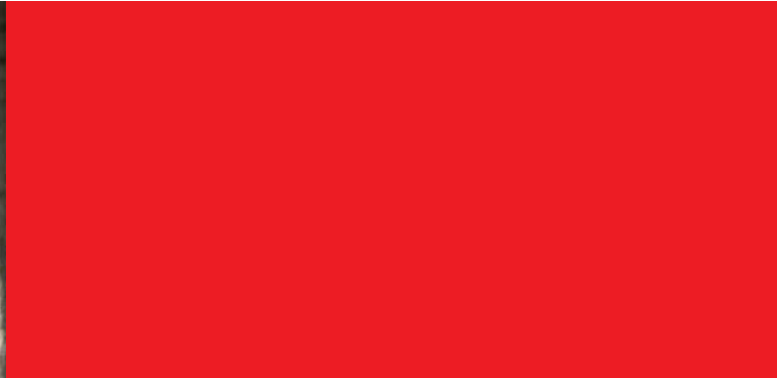
# Equipped for anything.

## Versatile and flexible.

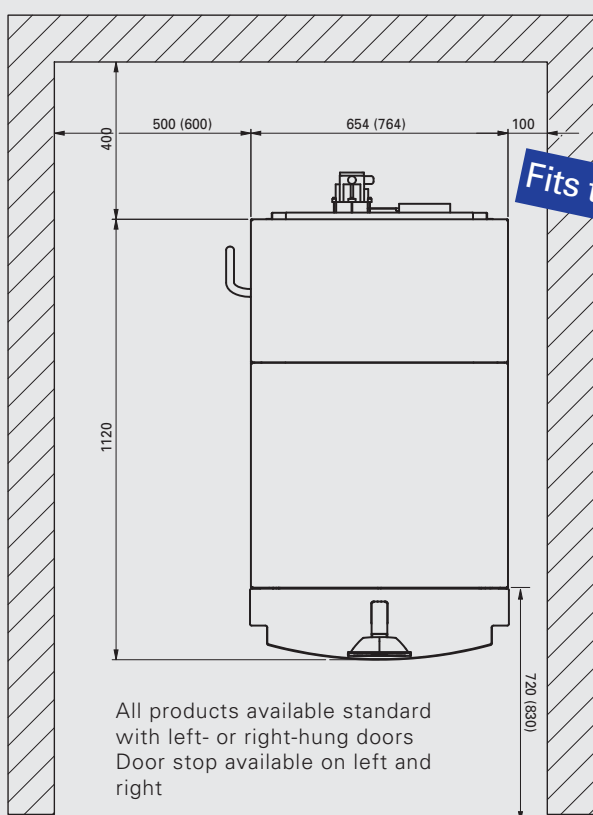
Looking to combine the LogWIN with a solar-heating system? Planning an extension to your heating system? No problem! The LogWIN can handle the operation of single- or multiple-circuit systems, under-floor heating and/or radiators just as easily a combination as with other heat generators. Just like all heating solutions from Windhager, the LogWIN is optimally equipped for use with other systems. So you save both time and money when installing the system.



Incidentally – when it comes to heating, you'll find everything under one roof at Windhager Zentralheizung. Windhager provides solutions and components for all fuels and every need. You not only have a single source for all your needs, you have the security that everything will work together perfectly – and that with the unique function guarantee on all Windhager systems.

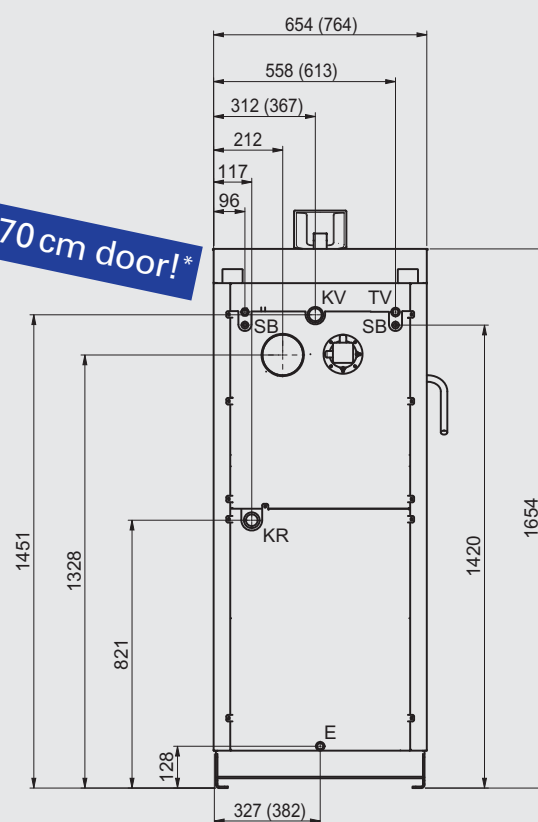


## Dimensional sketches and technical data.



Minimum clearances – view from above

All measurements in mm.  
Details in brackets apply to LWP 360–500.



Rear view

KR = boiler return 5/4" IG  
KV = boiler feed 5/4" IG

## Technical data

| LogWIN wood gasification boiler                   |       | LWP 180           | LWP 250 | LWP 300   | LWP 360           | LWP 500   |
|---|-------|-------------------|---------|-----------|-------------------|-----------|
| Nominal thermal output                            | kW    | 13 – 17,4         | 13 – 25 | 13 – 29,9 | 17,8 – 35,6       | 24 – 49,9 |
| Filling chamber volume                            | Liter | 176               | 176     | 176       | 226               | 226       |
| Minimum transport weight                          | kg    | 463               | 463     | 463       | 519               | 519       |
| Installation dimensions WxDxH (without cladding)* | mm    | 640 x 1020 x 1520 |         |           | 695 x 1020 x 1520 |           |
| Boiler dimensions WxDxH (with cladding)           | mm    | 654 x 1120 x 1780 |         |           | 764 x 1120 x 1780 |           |
| Flue connection                                   | ø mm  | 130               | 130     | 130       | 150               | 150       |
| Flue connection height                            | mm    | 1328              | 1328    | 1328      | 1328              | 1328      |
| Electrical connection                             | kW    | 0,12              | 0,12    | 0,12      | 0,12              | 0,12      |

[www.windhager.com](http://www.windhager.com)

## Windhager offers more than first-class products:

### Quality consulting from our expert partners.

You can obtain WINDHAGER ZENTRALHEIZUNG products from our expert PARTNERS. Our partners are experienced heating specialists who work in close professional cooperation with WINDHAGER ZENTRALHEIZUNG to achieve the best results for our customers.

### Professional customer service network.

Perfect customer service is one of the mainstays of WINDHAGER's success. Our professional customer service network guarantees the best customer care every day. Our customer service technicians are experienced professionals who work quickly and reliably, without any bureaucratic fuss.



Your expert PARTNER:

---

### Austria:

Windhager Zentralheizung GmbH  
A-5201 Seekirchen near Salzburg  
Anton-Windhager-Straße 20  
Tel. +43 (0) 62 12/23 41-0  
Fax +43 (0) 62 12/42 28  
E-Mail [info@at.windhager.com](mailto:info@at.windhager.com)

### Germany:

Windhager Zentralheizung GmbH  
D-86405 Meitingen near Augsburg  
Deutzring 2  
Tel. +49 (0) 82 71/80 56-0  
Fax +49 (0) 82 71/80 56-30  
E-Mail [info@de.windhager.com](mailto:info@de.windhager.com)

### Switzerland:

Windhager Zentralheizung Schweiz AG  
CH-6203 Sempach-Station near Luzern  
Industriestrasse 13  
Tel. +41 (0) 41/469 469-7  
Fax +41 (0) 41/469 469-9  
E-Mail [info@ch.windhager.com](mailto:info@ch.windhager.com)

### Italy:

Windhager Italia S.R.L.  
Via Ungheresca sud  
31010 Mareno di Piave (TV)  
Tel. +39/04 38/49 91 43  
Fax +39/04 38/49 78 84  
E-Mail [info@windhager.it](mailto:info@windhager.it)

### United Kingdom:

Windhager UK Ltd.  
4 Glenmore Business Park  
Vincients Road  
Bumpers Farm, Chippenham  
SN14 6BB Wiltshire  
Tel. +44/1249/446616  
Fax +44/1249/653574  
E-Mail [info@windhager.co.uk](mailto:info@windhager.co.uk)

### Ireland:

Windhager Ireland  
The Abbey  
Skibbereen  
Co. Cork  
Tel. +353/28/23680  
Fax +352/28/23681  
E-Mail [info@windhager.ie](mailto:info@windhager.ie)